

Parameter

Electric Parameters:	
Working power	21-30V DC
Bus interface	KNX/EIB
Dynamic current	< 12mA
Static current	<5mA
Rated voltage	AC85-135V(60Hz) ---USA AC195-265V(50Hz)
KNX BUS Terminal	(Red/Black)0.6-0.8mm Di- ameter Single core
Environmental Conditions:	
Working temperature	0°C~45°C
Working relate Humidity	Up to 90%
Storage Temperature	-20°C~+60°C
Storage relative Humidity	< 93%
Approve:	
CE, ROHS	
KNX	
Production Information:	
Dimension	H90x W72 x D66 (mm)
Net Weight	
Housing material	Nylon, PC
Installation	35mm Din rail installation
Protection degree	IP20

Important Notes

- Labeling for AC power wires ,DALI and KNX/EIB wire.
- Mount the device on a DIN rail of DB.
- Connect wires for AC input of module, make sure the terminal position is correct.
- Make sure the Bus cable type is correct and has no circuit short.
- Connect bus cables. Make sure the color of wire complies with the definition of KNX/EIB.
- Tidy the all wires. Separate KNXEIB BUS wire and AC power wire.

Overview



HDL-M/DALI.1 HDL KNX DALI module can connect up to 64 DALI devices for address assignment and management.also can be real-time to detect the device fault, such as DALI fault,Lamp fault,Ballast fault. for each channel and group, support Switch ON/OFF , Relative dimming , Absolute dimming,1bit and 1byte statues response function.Support the KNX standard dimming curve and DALI standard dimming curve.

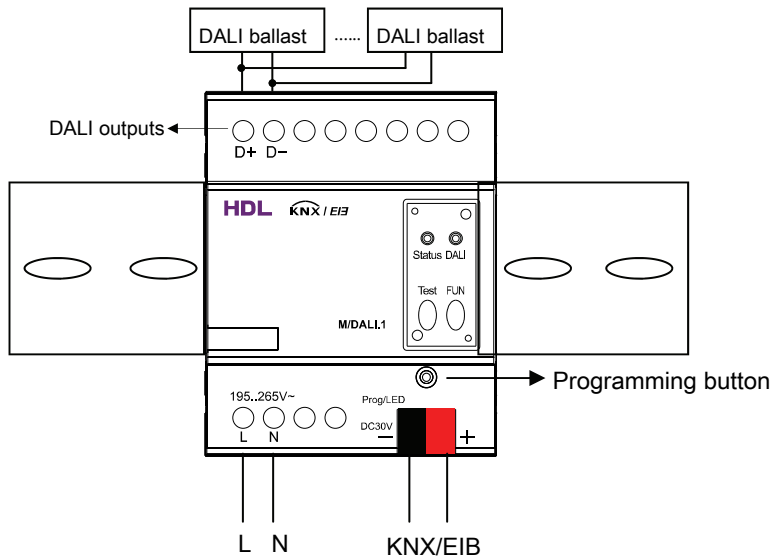
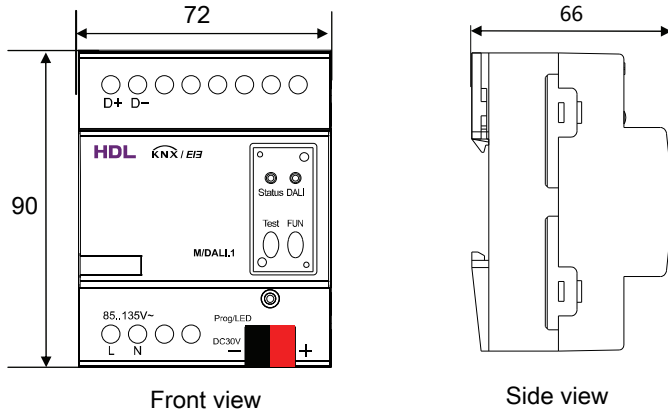
Features

- Fault status report
- Central control
- 22 Channel control
- 16 Group control
- 32 Scene control
- 16 Staircase light control
- 16 Sequence control
- 16 Emergency light control

Installation Step

- **Bus cable** - KNX/EIB standard cable
- **Special programming** - This device is designed for professional KNX installation. It can only be programmed by ETS software.
- **Power supply** - must use KNX approved power supply, the voltage between 21-30V.
- **Check power wire** – Make sure the power wire connect to AC terminal of module correctly.
- **Ballast type** – DALI.

Layout and Wiring



Note: the module has 2 kinds of rated voltage, do not make wrong connection of voltage.

Safety attention

- The tightening torque do not exceed 0.4Nm.
- Power cable require : 0.75mm² to 2.5mm² wire.
- DALI Bus cable require: 0.75mm² to 1.5mm².
- Mounting position: DB.
- Do not make wrong connection on KNX/EIB interface, it will damage the Bus interface of this interface module.
- Do not get AC voltage into KNX/EIB wire , it will damage all devices in the system.
- Never let liquids get into the module, it will damage this device.