

## Parameters

Electrical Parameters	
KNX Bus voltage	DC21-30V
KNX Bus current	5mA
External power supply	DC 24V (DC 12 to 30V)
Power consumption	typ. 520mW, max. 800mW
External current	typ. 190mA
Environmental Conditions	
Working temperature	-5°C~45°C
Storage temperature	-20°C~+60°C
Relative humidity (noncondensing)	5%~93%
Approved	
CE, RoHS	
KNX	
Product information	
Dimensions	90×36(2SU)×70(mm)
Weight	66(g)
Housing material	ABS
Installation	DIN rail installation
Protection degree	IP20, EN60 529

## Important Notes

### Electrical safety:

- Degree of pollution 2 to IEC 60664-1
- Type of protection IP 20 to EN 60529
- Protection class III to IEC 61140
- Overvoltage category III to EN 60664-1
- KNX line SELV DC 21to 30 V
- Device complies with EN 50090-2-2, IEC 60664-1

### CE mark:

- In accordance with the EMC guideline and the low voltage guideline.
- The KNX net/IP may be used for permanent interior installations in dry locations within distribution boards or small casings with 35 mm DIN EN 60715 mounting rail.
- Mounting and dismantling the KNX net/IP as for DIN EN 60715 rail equipment
- Connecting the KNX-bus line: as for common KNX-Bus connections

### KNX net/IP power supply:

- Separate supply DC 24V
- Alternatively: KNX power supply without throttle

**Do not connect with the KNX-bus!**

## Overview



The KNX net/IP Router connects the two communication media Ethernet and KNX.

## Functions

- The new KNXnet/IP Routing & Tunneling device offers **as router** the possibility to temporarily disable filtering of messages by pressing a button.
- This eases commissioning of the system.
- The temporary access to other lines is possible without download from ETS.
- Faulty communication on the bus is indicated through LEDs at the device.

## Installation Steps

### Connections:

- Power supply (WAGO bus connector)
- KNX-bus(WAGO bus connector)–Ethernet connector (RJ45)

**Warning: May not be connected to 230V!**

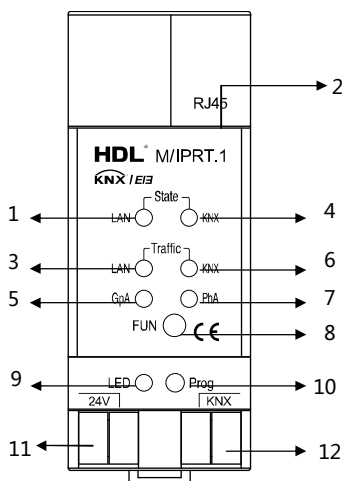
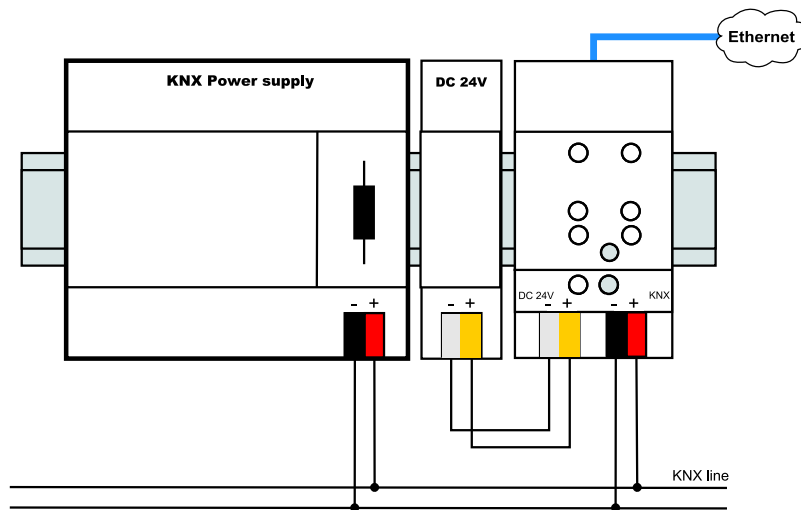
### WAGO-block, screwless:

- KNX-Cable (2 x 0.8 mm), to be stripped and plugged into the WAGO-block.

### Mounting:

- On 35 mm mounting rail, DIN EN 60715.
- Connecting to Ethernet: to be connected as for common Ethernet networks.

## Dimensions and Wiring



1. LED Bus Stat LAN
2. Ethernet connector
3. LED Traffic LAN
4. LED Bus Stat KNX
5. Routing Group Telegrams
6. LED Traffic KNX
7. Routing physical addressed
8. Function button Telegrams
9. Programming LED
10. Programming button
11. Power Input: DC24V
12. KNX-BUS connector

### Safety precautions



- The KNX net/IP Router must be mounted and commissioned only by an authorised electrician.
- When connecting the Module ensure that it can be isolated.
- The housing must not be opened!
- For planning and construction of electric installations, the relevant guidelines, regulations and standards of the respective country are to be considered.

